



RUNNER

Polyester soft cap, with side mesh insert, for a perfect breathability of your head. Ideal for the sportswear and for outdoor activities.



Technical accessories

Composition	Main Fabric: 100% Polyester - 90 gsm
Panels	5 Panels
Sweatband	Sweatband TC sheeting with 2 stitching (open on back)
Eyelets	No eyelets
Buckram	No buckram- Unstructured front panels
Closure	Sunday buckle
Size	One size fits all
Packing	24 x 144
Custom code	6505.00.30
Made in	China

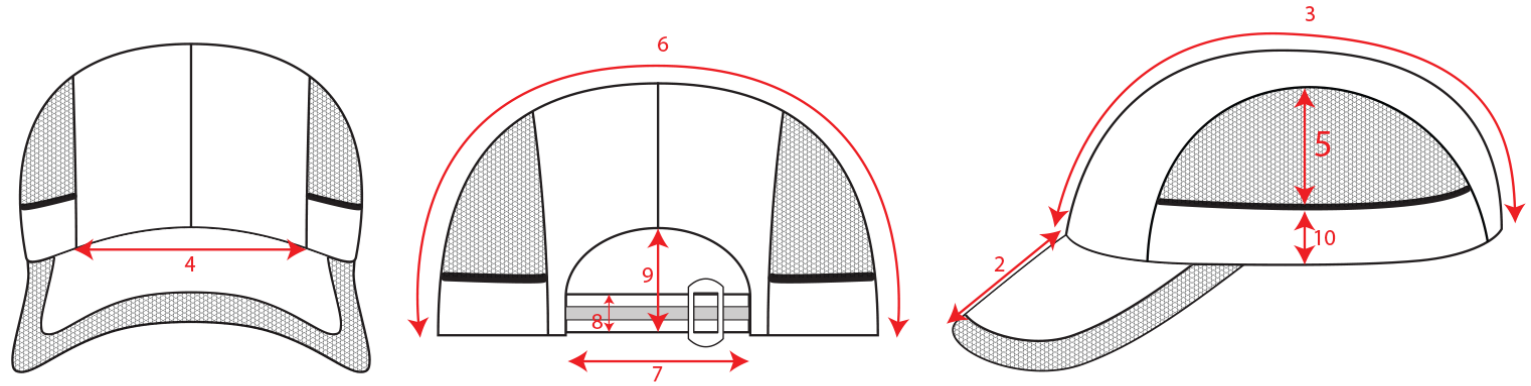
Where to customize

Centimeters

	Front	Back	Closure	Right	Left
Print	-	-	6 x 1,2	8 x 2,5	8 x 2,5
Embroidery	10 x 6	8 x 3,5	-	8 x 3	8 x 3
Heat transfer	-	-	-	8 x 2,5	8 x 2,5

Technical Size (cm)

- 1** 0.2
- 2** 7.0
- 3** 28.0
- 4** 13.0
- 5** 6.5
- 6** 33.0
- 7** 8.0
- 8** 1.8
- 9** 6.0
- 10** 3.5



Color variants (TPX / Pantone)

BLACK



HAT: 19-4006 / BLACK-6-C
PIPING: / 877-C

NAVY



HAT: 19-3921 / 296-C
PIPING: / 877-C

WHITE



HAT: 11-4800 / WHITE
PIPING: / 877-C

YELLOW-FLUO



HAT: / -
PIPING: / 877-C