



RAINY-S

Outdoor 4-season hat in recycled polyester ripstop. Heat sealed tapes for maximum waterproofing. Inside mesh lining and dry-tech sweatband in recycled polyester. Unstructured 5 panels and curved visor. Metal Sunday buckle closure.



Technical accessories

Composition	Main Fabric: 100% Recycled Polyester Ripstop- Lining: 100% Recycled Polyester Mesh - 85 gsm
Panels	5 Panels
Sweatband	Recycled Dry Tech Sweatband
Eyelets	No eyelets
Buckram	No buckram- Unstructured front panels
Closure	Sunday buckle
Lining	RPET Mesh Lining
Washing	WATER RESISTANT - PFC FREE
Size	One size fits all
Packing	24 x 144
Custom code	6505.00.30
Made in	China

Where to customize

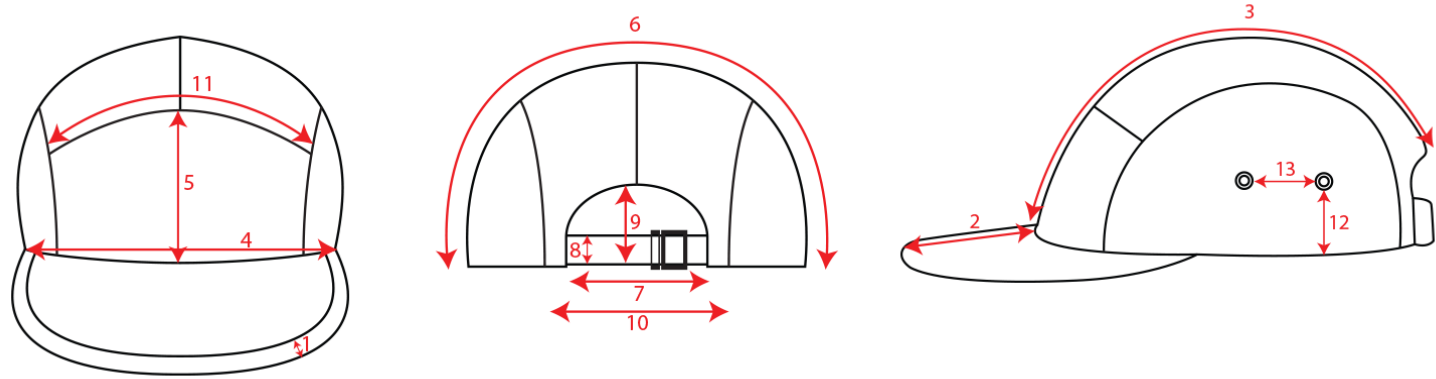
Centimeters

	Front	Back	Closure	Right	Left
Print	10 x 6	-	-	7 x 5	7 x 5
Embroidery	-	-	-	-	-
Heat transfer	8 x 6	-	-	6 x 4	6 x 4



Technical Size (cm)

- 1 0.25
- 2 7.0
- 3 26.0
- 4 13.5
- 5 7.0
- 6 33.0
- 7 10.0
- 8 1.8
- 9 5.0
- 10 12.5



Color variants (TPX / Pantone)

NAVY



HAT: 19-4023 / 289-C
LINING: 19-4006 / BLACK-C

BLACK



HAT: 19-4006 / BLACK-C
LINING: 19-4006 / BLACK-C

GREY



HAT: 16-5803 / 4275-C
LINING: 19-4006 / BLACK-C

DARK-MUSTARD



HAT: 17-1128 / 464-C
LINING: 19-4006 / BLACK-C