



BOLT

Constructed in a matt lightweight fabric with a cotton look & feel, BOLT is the **first curved visor baseball hat made of a high quality breathable polyester**, woven with a **mechanical stretch technique** that gives a very elastic result.



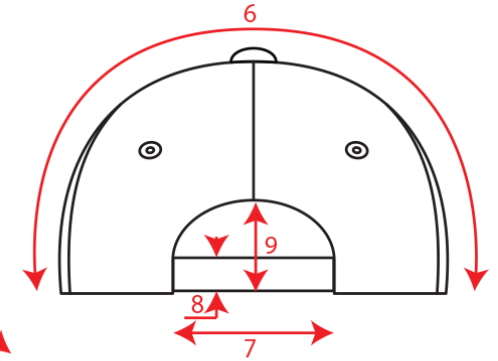
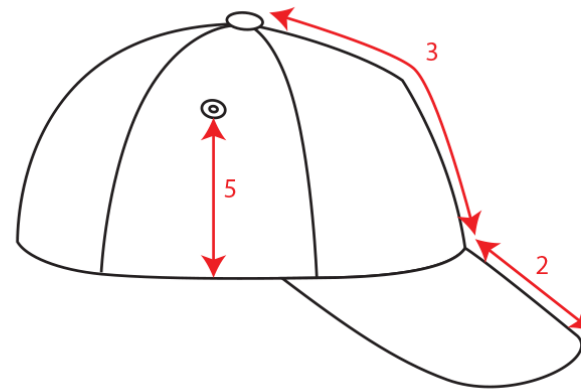
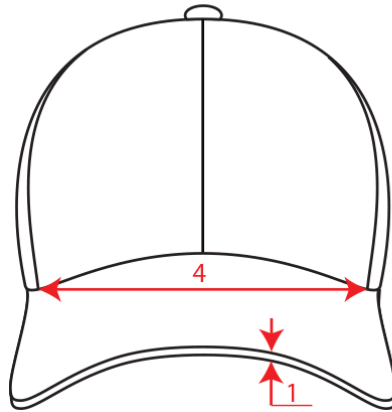
Where to customize

Centimeters

	Front	Back	Closure	Right	Left
Print	-	-	6 x 1,2	6 x 5	6 x 5
Embroidery	12 x 6	8 x 3,5	-	8 x 6	8 x 6
Heat transfer	-	-	-	6 x 4	6 x 4

Technical Size (cm)

- 1** 3,8
- 2** 7
- 3** 16,8
- 4** 18
- 5** 9
- 6** 33,5
- 7** 8,5
- 8** 2
- 9** 6



Color variants (TPX / Pantone)

BLACK



HAT: 19-4005 / BLACK-C

ROYAL



HAT: 19-4056 / 7686-C

WHITE



HAT: 18-0403 / 425-C

DARK-GREY



HAT: 18-0403 / 425-C

NAVY



HAT: 19-3920 / 533-C